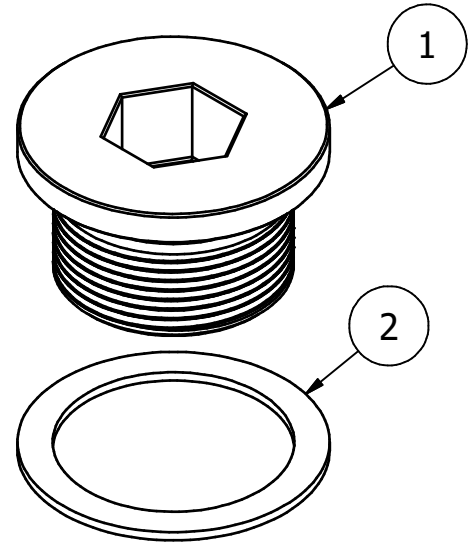
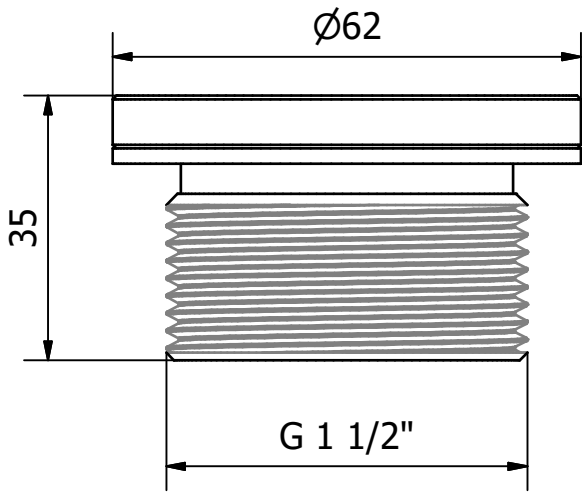
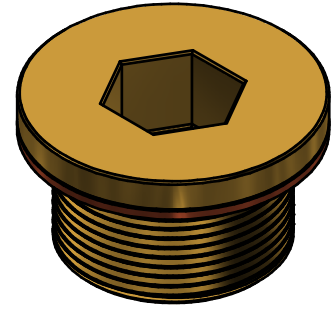
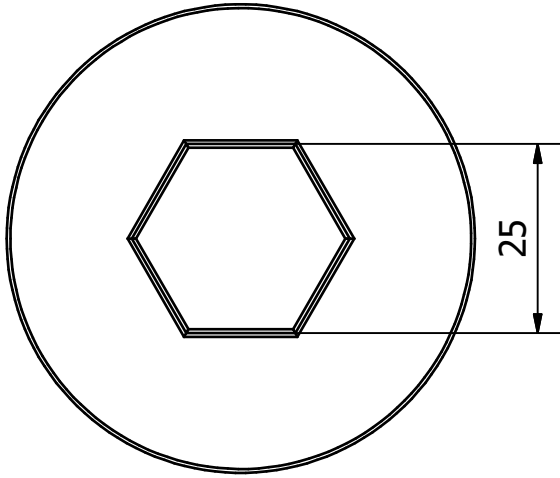


This drawing and design is protected by copyright and the information is confidential. It is also protected and registered under Dutch laws through the Dutch government department for taxes. The drawing and/or models may not to copied, reproduced, duplicated or disclosed to others, in whole or in part without prior written consent of Rob Snel B.V./the Netherlands



2	1	SEAL COPPER DRAIN PLUG 1 1/2" FUEL	Copper		54.BR.590.22
1	1	DRAIN PLUG BRASS 1 1/2" WATER	Brass		54.BR.590.12
POS	AANT	BENAMING	MATERIAAL	AFMETING	TEKNR

C		
B		
A		

Rev.:	REV. DATE:	REVISION SUBJECT
-------	------------	------------------

Date:	22-8-2022	 Rob Snel TECHNISCHE GROOTHANDEL	Rob Snel Technische Groothandel Industrieweg 39 3361 HJ Sliedrecht T +31 (0)184 43 30 30 F +31 (0)184 43 30 31 E s.snel@robsnel.nl I www.robsnel.nl	Art.nr:
Drawn:	HB			Projection type:
Scale:	1:1			
Status:	Pending			
Cust.:				
Project:				

Title: **DRAIN PLUG + RING 1 1/2" FUEL**

Mat:	Dwg.nr:	54.BR.590.52	Revision:	Sheet:	1	Format:	A4
------	---------	--------------	-----------	--------	---	---------	----