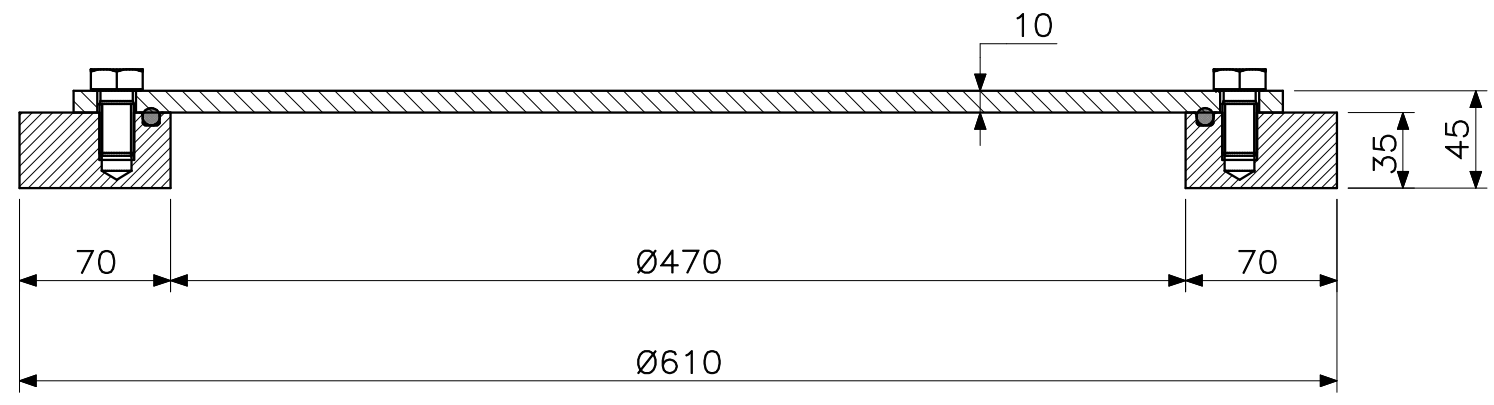
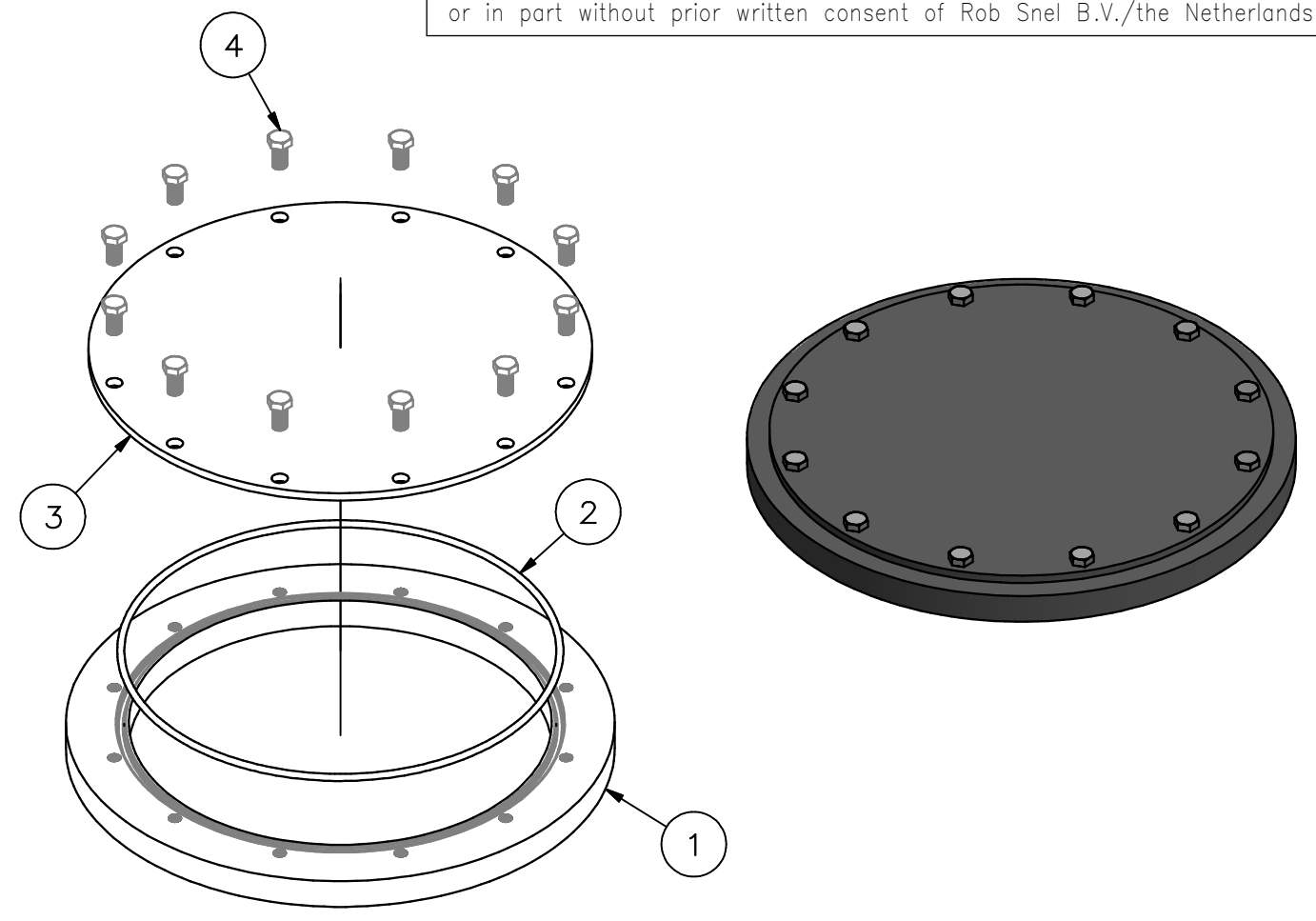



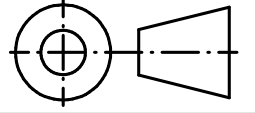
SECTION A-A



This drawing and design is protected by copyright and the information is confidential. It is also protected and registered under Dutch laws through the Dutch government department for taxes. The drawing and/or models may not to copied, reproduced, duplicated or disclosed to others, in whole or in part without prior written consent of Rob Snel B.V./the Netherlands



3D-IMPRESSION - EXPLODED VIEW

4	12	Hex-Head Bolt	Steel 8.8	DIN 933 - M16 x 30		
3	1	Manhole Cover	Q235B	ø560x10		
2	1	Seal NBR 70gr Shore A	Nitril	ø8		
1	1	Manhole Ring	Q235B	ø610xø470x35		
POS	QTY	TITLE	MATERIAL	DIMENSION	DWG NR	
C						
B						
A						
Rev.: REV. DATE: REVISION SUBJECT						
Date:	27-12-2021		 Rob Snel TECHNISCHE GROOTHANDEL Rob Snel Technische Groothandel Industrieweg 39 3361 HJ Sliedrecht T +31 (0)184 43 30 30 F +31 (0)184 43 30 31 E s.snel@robsnel.nl I www.robsnel.nl		Art.nr:	
Drawn:	Hans Baars				Projection type:	
Scale:	1:5					
Status:	Pending					
Cust.:						
Project:						
Title: Steel Manhole C/O ø470 - Type A Flush - 12 Bolts						
Mat:	Dwg.nr: 51.ST.511.02			Revision:	Sheet: 1	Format: A3